

eGecko²

porvair KBIOSYSTEMS

Kbiosystems barcode application automated systems offer the ideal solution to high throughput to the single application of barcode labels to plates racks and Petri dishes



Using a fully integrated PC eGecko² allows you to connect live to your network LIMS system to allow data transfer and validation of application label.

Using the on board optional verification mode you can print and verify all labels to ensure no unreadable labels enter your work flow.



Kbiosystems eGecko² Barcode Application systems utilise robust and proven custom designed label printer in association with TCS print engines, the eGecko² system is a completely integrated combined printer and application unit in one, with only the need for electrical supply. With easy swap head operation, you can apply labels to flat and curved surfaces with simple change.

Utilising proprietary software, this software enables the creation of label position and the ability to run the eGecko² automation simultaneously. Integrated with third party software, Bartender (seagullscientific.com) is used to direct drive data to printer. Alternative data creation can be used upon request.

Using Z axis motion we offer the integrators ultimate applicator with no need to adjust between plate types and label position simply call the application macro and apply the label.

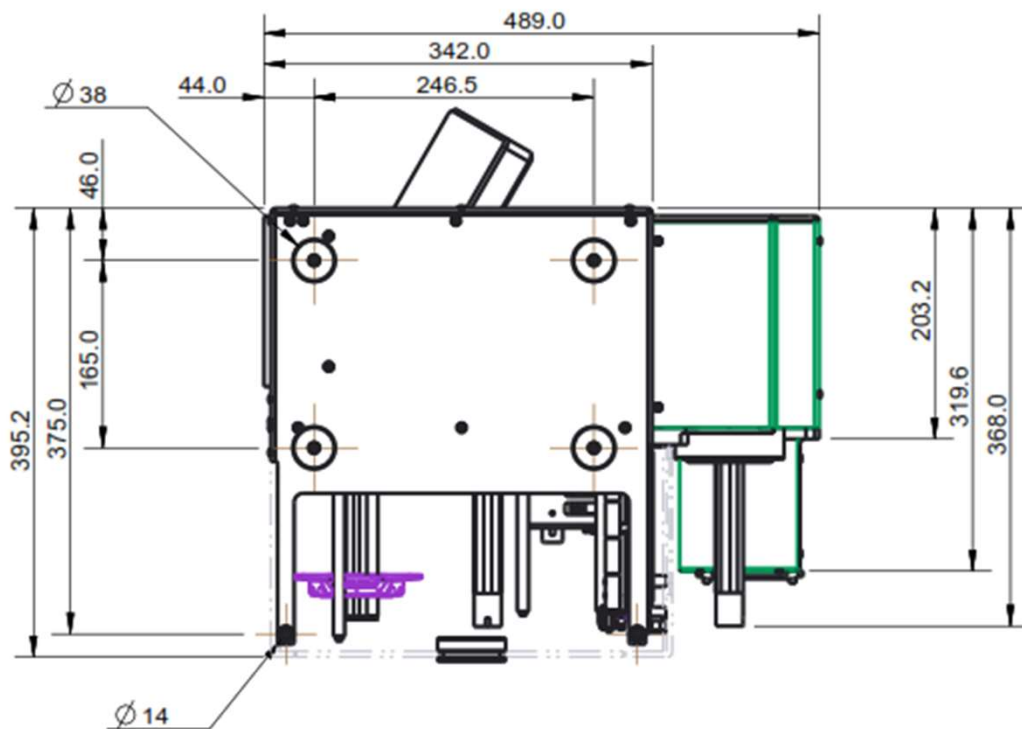
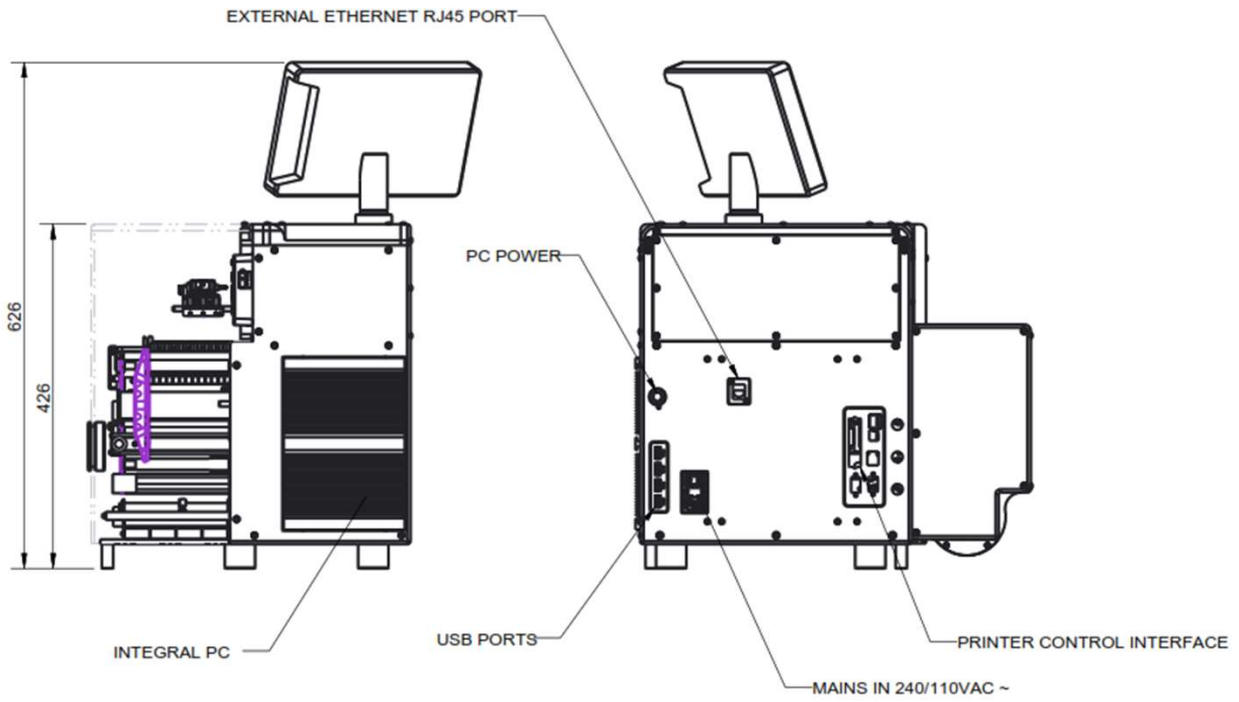
This motion allows the use of ultra shallow to deep well blocks, to petri dishes, to multi labels per face.

Z axis drive also allows us to move and verify labels rather than a static single try barcode reader.

eGecko²

porvair
KBIOSYSTEMS

Dimensions:





Label Specification:

Standard label sizes available (height x length)	Part Number	Roll quantity	Print ribbon required
5mm x 63mm TMP label	7075-26305	5000	✓
6mm x 50mm TMP label	7075-25006	5000	✓
6mm x 60mm TMP label	7075-26006	5000	✓
6mm x 64mm TMP label	7075-26406	5000	✓
6mm x 75mm TMP label	7075-27506	5000	✓
9mm x 60mm TMP label	7075-36009	5000	X
9mm x 52mm TMP label	7075-36008	5000	X
13mm x 24mm TMP label	7075-22413	5000	✓
20mm x 28mm TMP label	7075-22820	5000	✓
Specific size manufacture is available on request	Request	MOQ applies	
Media print ribbon 55mm x 300M	7075-36015	300 meters	n/a
Media print ribbon 65mm x 300M	7075-36014	300 meters	n/a
Media print ribbon 95mm x 300M	7075-20001	300 meters	n/a

Note:

All labels offer some form of solvent resistance but are not designed for solvent immersion should you have any concerns regarding the resistance of the labels please contact us with a full detailed list of your solvents used and we will check compatibility and offer advise as to label requirements.

eGecko²



Key Features:

- Operator Friendly** Easy to program and operator and integrator friendly
- Versatile** Able to use multiple plastic ware manufactures plates across applications. Ability to apply to SBS plate types or flat surfaces or curved surfaces such as petri dishes.
- Reliable** Engineered with robustness in mind

System:

- Control** Fully automated with own PC control
- Applications** Individual internal generation of labels
Works directly with OEM label creation software on request
- Software** Individual programmable macros stored in PC.
- Dimensions:** See General drawing
- Comms lead:** 3m RS232 (3 wire 2,3 and 5 connection non twisted) + USB hub
- Comms driver:** Supplied with KBio communication protocol

(v) Standard (O) Optional (X) Not available		eGecko
Integrated with TCS Print engine		√
Thermal media transfer labels		√
Direct thermal transfer labels		√
Loading of plates in Landscape or Portrait		√
360° rotation of application faces		√
Loading of plates in Landscape or Portrait		√
Barcode Verification reader		√
Integration API control software		√
Handles SBS Plates and 8/9cm Petri Dish		√
Fully integrated with Bartender Software		√
Constant label detection up to application		√
Automatic plate feeder compatible	(O)	√
Integration plates for automation connection	(O)	√