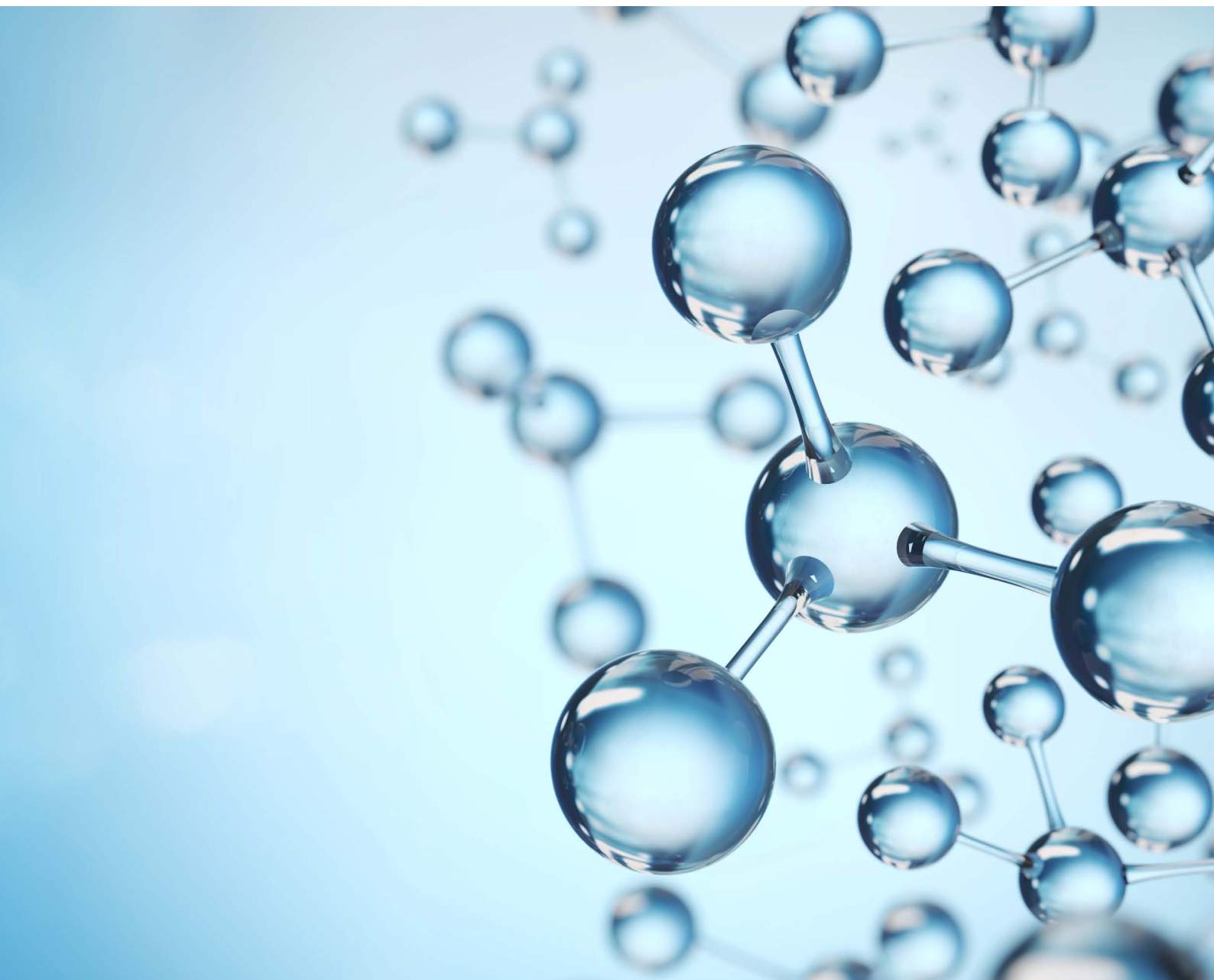


verity[®]

SKID LC



Process Scale Liquid Chromatography System



LEVEL UP YOUR PURIFICATION

The VERITY® SKID LC is designed to automatically manage all purification steps involved in process scale chromatography, such as the generation of the elution mobile phase, the injection of samples, the detection of molecules, and the collection of fractions. The unique design of this system allows the user to connect a large range and size of LC columns, such as HPLC, MPLC (High and Medium Pressure Liquid Chromatographic column), or CPC (Centrifugal Partition Chromatographic column) to optimize your production throughput, costs, and quality.

Designed in multiple configurations, the VERITY SKID LC answers all the requirements of a pharmaceutical molecule purification process.

RELIABLE AND POWERFUL

- Piston pump technology to achieve a large dynamic range of flowrate (from 1% to 100% of the pump capabilities)
- Flow rate performance +/- 2% accuracy (with degassed water at 20°C) with repeatability better than 0.5% (In the same conditions)
- Flowrate up to 300 L/h available in isocratic or binary high-pressure gradient
- High precision automatic injection pump for optimized production time

EASY-TO-USE AND FLEXIBLE

- Flexible configurations allowing to use columns from 30 to 300 mm ID
- Conception made for easy cleanability of the frame and the structure
- Mobile unit equipped with reinforced rotative wheels and directional brakes
- Easy-to-use software that allows automated stack injections and includes a pre-set list of methods for automated production

SAFE AND COMPLIANT

- Advanced safety features with pressure transmitters, leak sensors, and optional flowmeter
- 21 CFR part 11 chromatographic software specifically designed for production
- CE and Ex (Explosion Proof) certifications for use in a potentially explosive atmosphere
- cGMP compliant

HPLC COLUMN COMPATIBILITY

Select your SKID design according to your column ID.

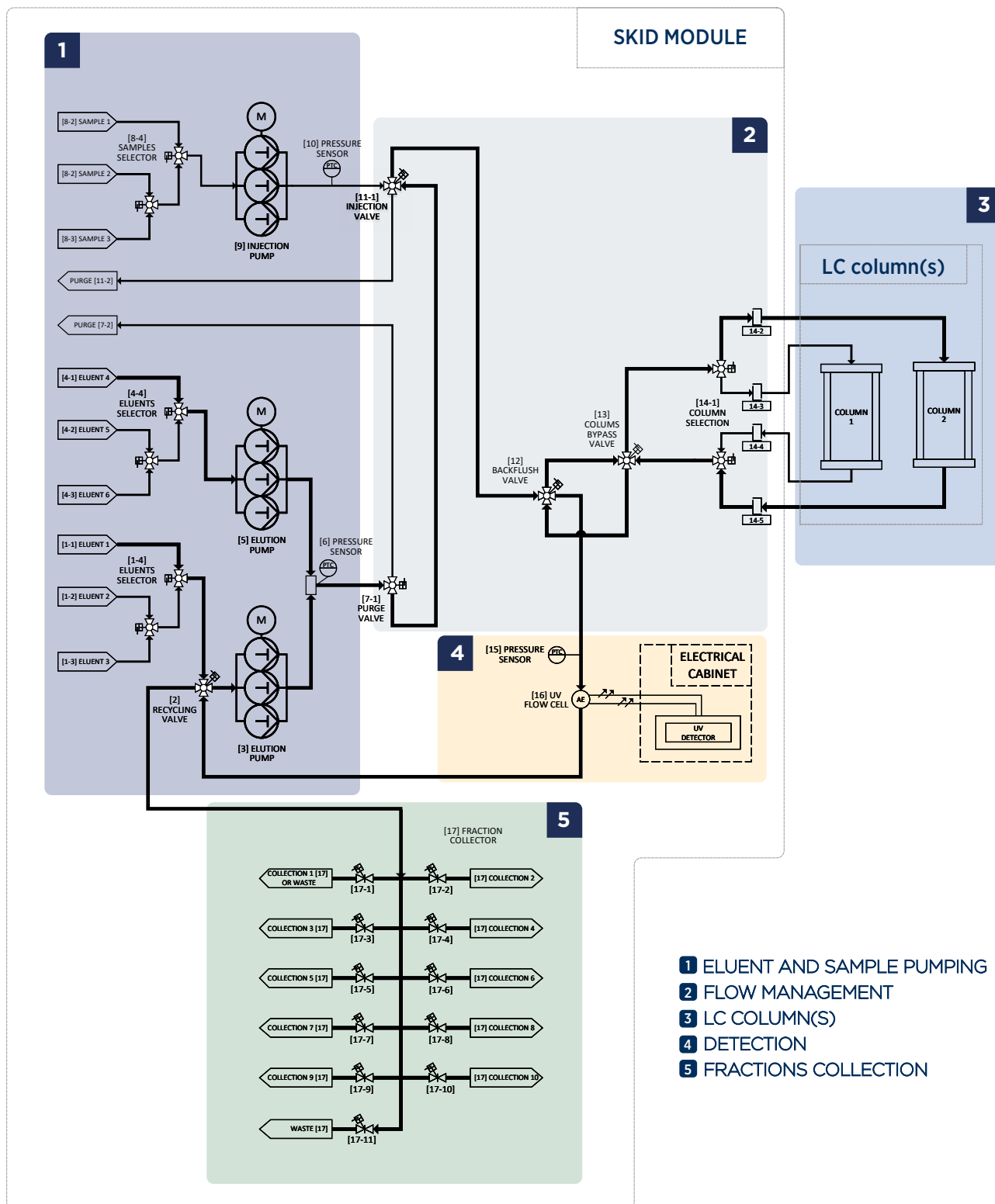
Large selection of columns thanks to the large dynamic range of flowrate from piston pump technology

| Column ID | SKID 30 | SKID 60 | SKID 180 | SKID 300 |
|-----------|---------|---------|----------|----------|
| 50 mm | | | | |
| 80 mm | | | | |
| 100 mm | | | | |
| 150 mm | | | | |
| 200 mm | | | | |
| 250 mm | | | | |

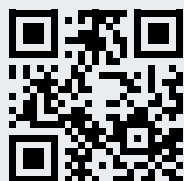
MAIN CHARACTERISTICS

👉 Select your design according to your process.

| | |
|-----------------------------------|--|
| FLOW RATES | SKID 30: 0.3 to 30 L/h - (5 to 500 ml/min) SKID 60: 0.6 to 60 L/h - (10 to 1000 ml/min) SKID 180: 1.8 to 180 L/h - (30 to 3000 ml/min) SKID 300: 3 to 300 L/h - (50 to 5000 ml/min) |
| PRESSURE | Up to 100 bars |
| ELUTION MODE | Isocratic or Binary High-Pressure Gradient |
| SOLVENT INLET PER PUMP | 1 (up to 3 as an option) |
| INJECTION MODE | By injection pump or and automatic/manual injection loop |
| DETECTION | UV detector DAD 4 simultaneous wavelengths 200-400 nm (200-600 nm, 200-800 nm as option) |
| FRACTIONS COLLECTION | 7 Fractions + 1 waste line (Other configurations as option) |
| AUTOMATIC PNEUMATIC VALVES | 4 ways Recycling valve (as option) 4 ways Backflush valve (as option) 4 ways Column bypass valve (as option) 2 x 3 ways Columns switching valves (as option) |
| CONTROL | Software Controller Design for production and automation CFR 21 Part 11 regulations compliant |
| AIR SUPPLY | Pressure 6 to 8 bar |
| ELECTRICAL | Inlet power: mono 230 V- or three-phase 380/400 V-; 50/60 Hz based on configuration Power consumption: 650 to 2500 W based on configuration |
| WEIGHT AND DIMENSIONS | From 250 kg to 700 kg depending on the selected options 1600 mm H x 1200 mm W x 1650 mm D maximal dimension |
| REGULATION | 2006/42/EU Directives for machinery 2014/34/EU ATEX directives (as option) |
| EXPLOSION PROOF | ATEX Zone II (as option) |
| ADDITIONAL OPTIONS | Filters Heat Exchanger |



- 1** ELUENT AND SAMPLE PUMPING
- 2** FLOW MANAGEMENT
- 3** LC COLUMN(S)
- 4** DETECTION
- 5** FRACTIONS COLLECTION



Contact our purification experts to select the modular options to match your specific requirements.

gilson.com/contactus

“ This **VERITY SKID LC** is easy to use after a few hours of training. Its conception and design give us complete satisfaction on a daily basis. The Gilson sales and technical team was able to perfectly meet our expectations and integrate the technical functionalities required into our processes, such as recycling, backflush, injection on an autonomous pump, advanced automation, etc. Since the acquisition of a Gilson SKID LC 1L for our SynBio3 purification service platform, We can carry out purifications of peptides, small organic molecules or oligomers using linear, stepwise, or isocratic gradient mode with grafted phases ranging from 5 to 15 μ m with flow rates of up to 1L/min. ”

Brunel Luc, CNRS Design Engineer at IBMM (Max Mousseron Institute of Biomolecules) – SynBIO3 Platform – Montpellier, France